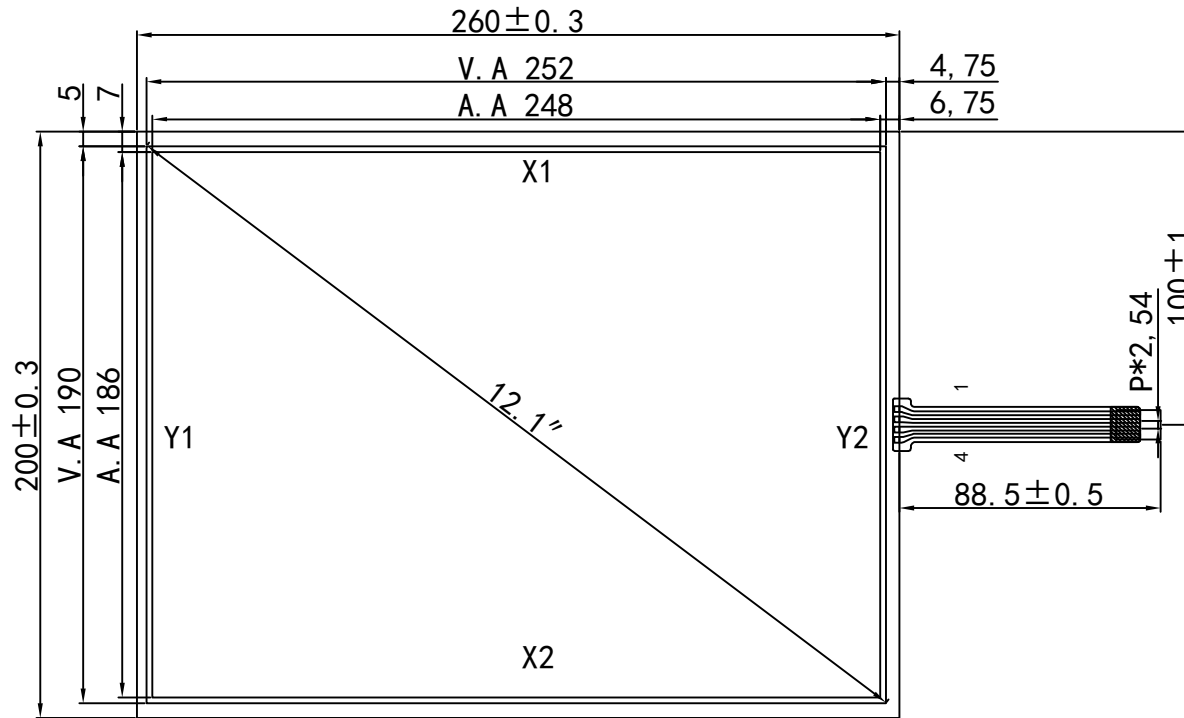
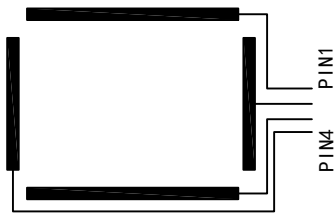


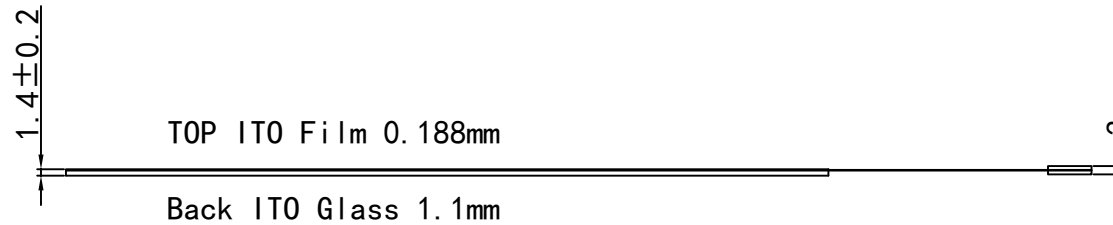
VERSION	MODIFY	DATE

PIN	Assignment
1	X1
2	Y2
3	X2
4	Y1



Notes:

1. Type: Film to Glass
2. Operating Voltage:  $\leq 10V$
3. Operation Temperature:  $-10^{\circ}C \sim 60^{\circ}C$   
Storage Temperature:  $-20^{\circ}C \sim 70^{\circ}C$
4. Life Time:  $> 1,000,000$  times
5. Connect Material: FPC
6. Response Time:  $\leq 10ms$
7. Linearity:  $\leq 1.5\%$
8. Transmittance:  $\geq 80\%$
9. Surface Hardness  $\geq 3H$  (pencil)
10. Operation force:  $20g \sim 80g$
11. Resistance: X :  $250 \Omega - 450 \Omega$   
Y :  $450 \Omega - 800 \Omega$



Obey Co., Limited							
MODEL NO.	DRAWN:	DATE:	VERSION:	UNIT:	TOLERANCE:	SCALE:	REV:
<b>TS121A4B</b>			1.0	MM	$\pm 0.2$	1:1	