

254±0.5(OutLine area)

217±0.5(Active area)

421±0.5(OutLine area)

384±0.5(Active area)

7.9±0.1

18.5

17.3"(16:9)

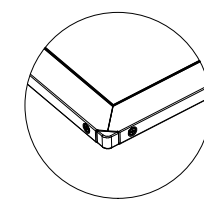
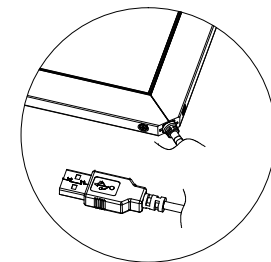
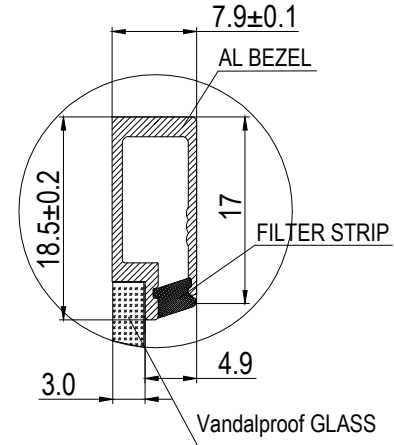
(220) (Metal Opening Size)

217±0.5(Active area)

USB Connector Cable
120 centimetre

(387) (Metal Opening Size)

384±0.5(Active area)



NOTE:

1. ALL SURFACES OF BEZEL ARE SPRAY BLACK PAINTING .
2. UNLESS SPECIFIED , THE TOLERANCE IS ACCORDING TO GB1804-F .
3. NO SHARP EDGE, NO SCRATCH, NO CHROMATISM, ETC .
4. MATCHED GAP <0.5MM .

OBHEY Co., LIMITED
www.obtouch.com
www.obeycrop.com

Product Name:
17.3" IR touch screen
Screen Aspect Ratio 16:9

| Material | Weight | Unit |
|----------|---------|------|
| AL+Glass | 0.86 kg | mm |

Product No.
OB173AP-3K1-BNA2

Sheet 1 of 1

| | |
|---------------------------------|---------|
| Drawing No. OB173AP-3K1-BNA2 | Rev 1.0 |
|---------------------------------|---------|