

1 2 3 4 5 6 7 8

A

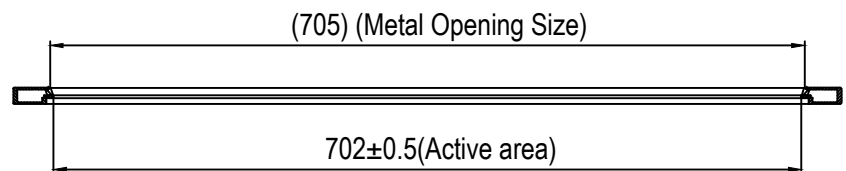
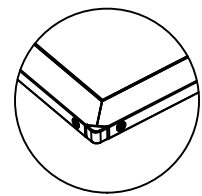
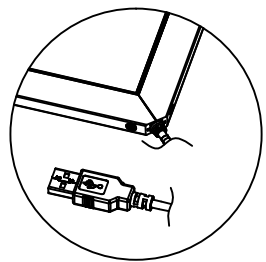
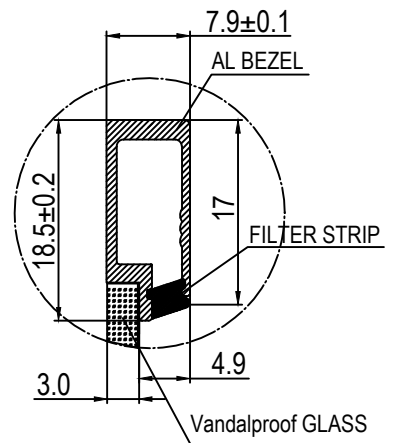
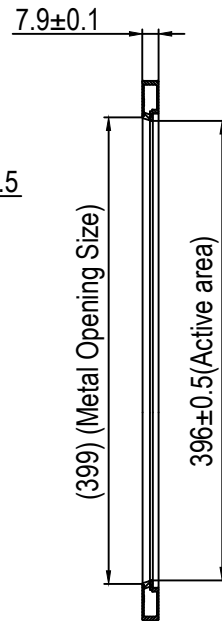
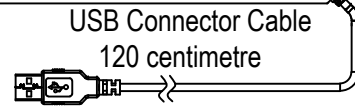
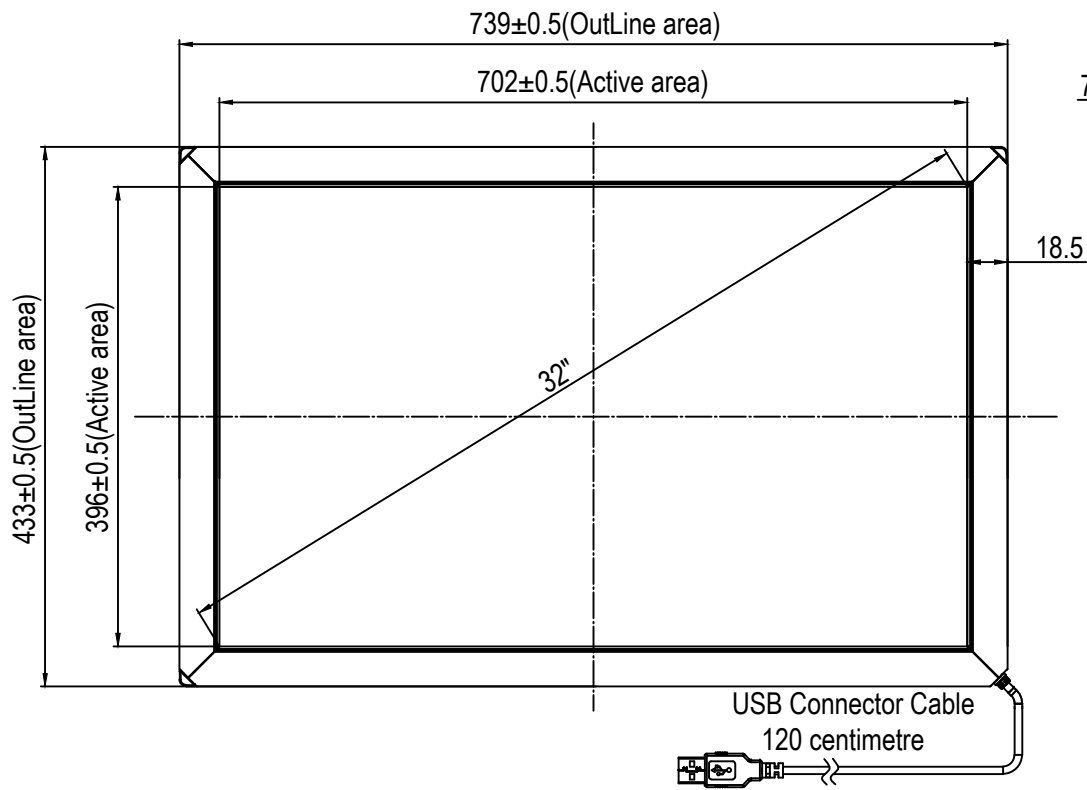
B

C

D

E

F



- NOTE:
1. ALL SURFACES OF BEZEL ARE SPRAY BLACK PAINTING .
 2. UNLESS SPECIFIED , THE TOLERANCE IS ACCORDING TO GB1804-F .
 3. NO SHARP EDGE, NO SCRATCH, NO CHROMATISM, ETC .
 4. MATCHED GAP <0.2MM .

OBEY CO., LIMITED www.obtouch.com www.obecrop.com			Product Name: 32" IR touch screen Screen Aspect Ratio 16:9	
Material	Weight	Unit	Product No. OB320AP-3K	
Al+Glass	2.34 kg	mm	Drawing No. OB320AP-3K	
Sheet 1 of 1			Rev 1.0	

1 2 3 4 5 6 7 8