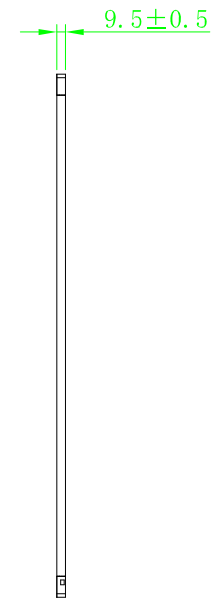
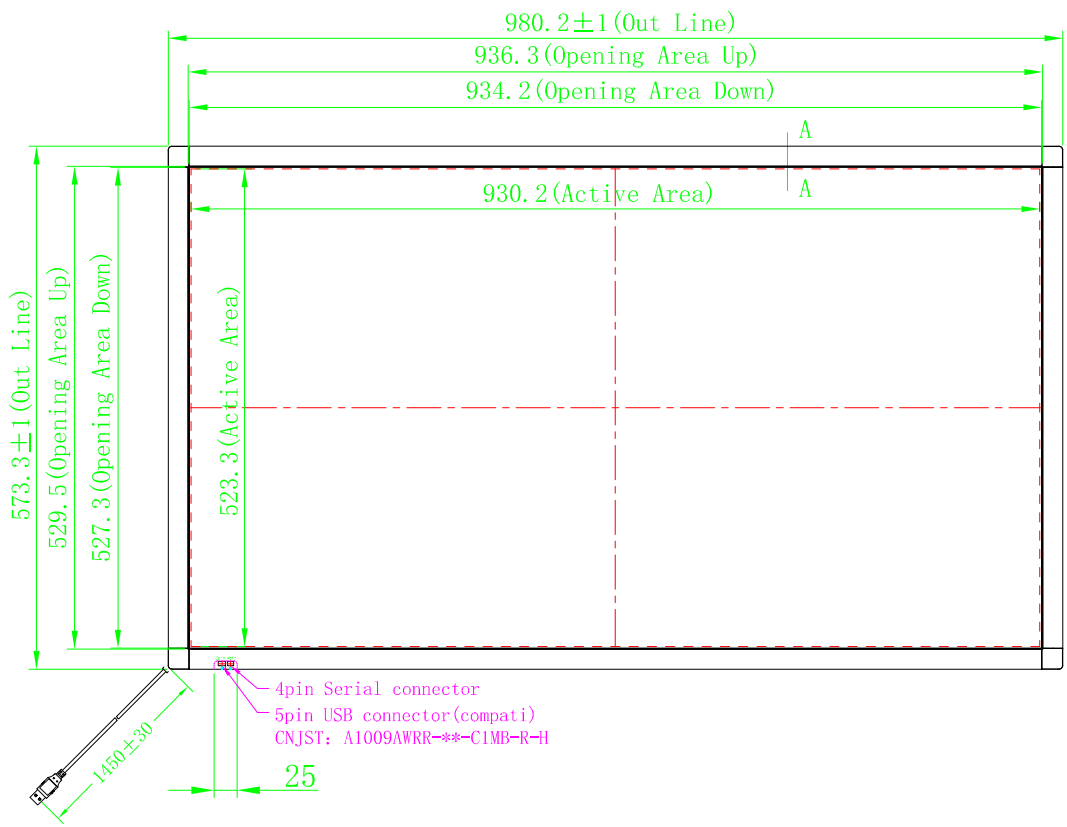


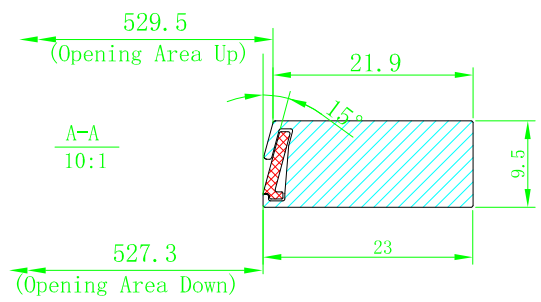
8 7 6 5 4 3 2 1

LOGO	REV.	Date	Changes
△			
△			
△			



Refer to AU display

注：未注公差±0.2mm



TOLERANCES (UNLESS OTHERWISE STATED)	
DECIMALS	ANGLES ±0.5°
> 2000mm	±2.00mm
1600 < X ≤ 2000mm	±1.20mm
1200 < X ≤ 1600mm	±0.80mm
800 < X ≤ 1200mm	±0.50mm
400 < X ≤ 800mm	±0.40mm
120 < X ≤ 400mm	±0.30mm
30 < X ≤ 120mm	±0.20mm
≤ 30mm	±0.10mm

THIRD ANGLE PROJECTION

OBEY Co., LIMITED				
MODEL NO.		SCALE	1:1	NOTES:
PART No.	F42WH00D	REV.	1.0	
PART NAME	Mechanical Design	SIZE	FREE	
UNIT	mm	SHEET	1/1	
MATERIAL				
SURFACE			CHK'D	
DRAWN	<i>[Signature]</i>	2016.03.28 14:10:01 +08'00'	APP'D	

8 7 6 5 4 3 2 1