

8

7

6

5

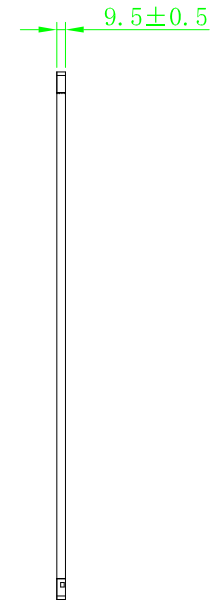
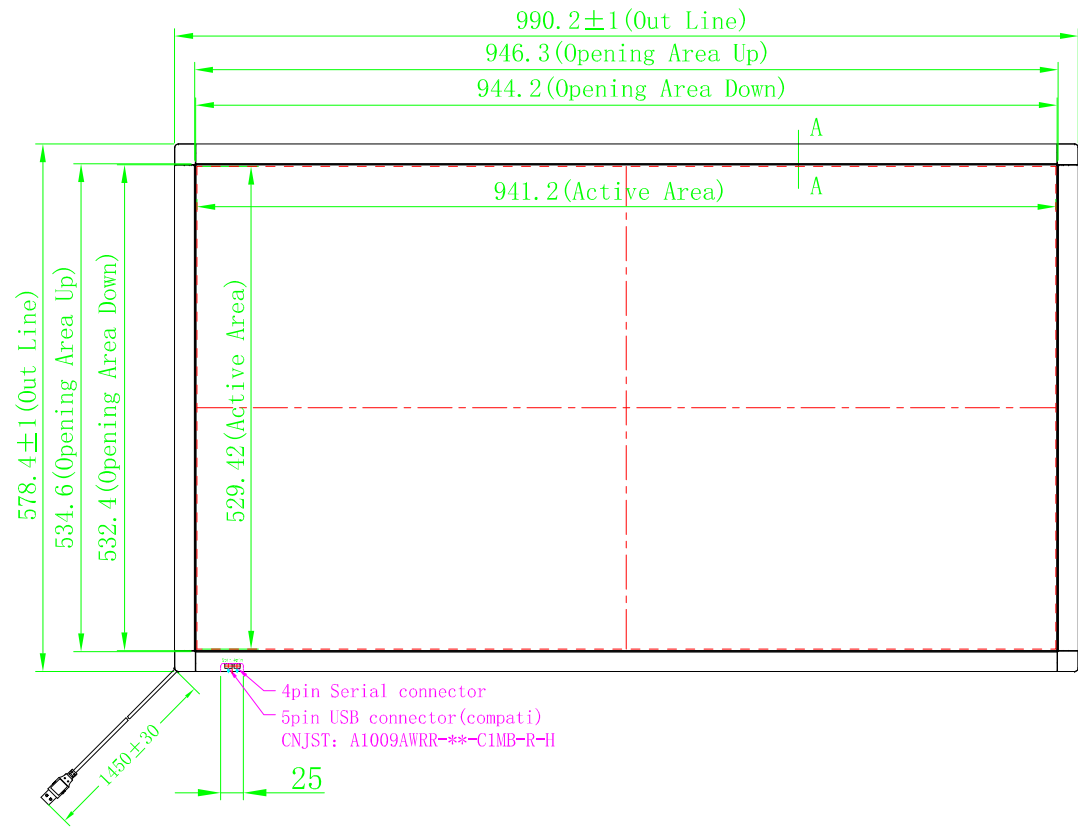
4

3

2

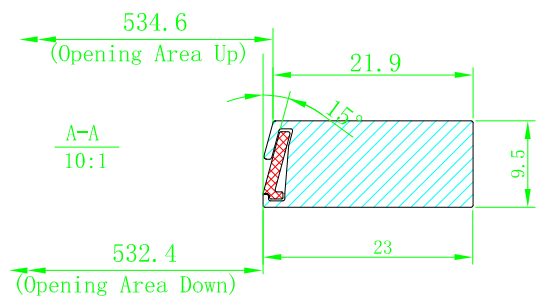
1

LOGO	REV.	Date	Changes
△			
△			
△			



Refer to LG display

注：未注公差 ± 0.2mm

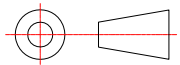


A-A  
10:1

TOLERANCES  
(UNLESS OTHERWISE STATED)

DECIMALS	ANGLES	± 0.5°
> 2000mm		± 2.00mm
1600 < X ≤ 2000mm		± 1.20mm
1200 < X ≤ 1600mm		± 0.80mm
800 < X ≤ 1200mm		± 0.50mm
400 < X ≤ 800mm		± 0.40mm
120 < X ≤ 400mm		± 0.30mm
30 < X ≤ 120mm		± 0.20mm
≤ 30mm		± 0.10mm

THIRD ANGLE PROJECTION



OBEY Co., LIMITED

MODEL NO.				
PART No.	F43WH00D	SCALE	1:1	NOTES:
PART NAME	Mechanical Design	REV.	1.0	
UNIT	mm	SIZE	FREE	
MATERIAL		SHEET	1/1	
SURFACE				CHK'D
DRAWN				APP'D

2016.03.17 18:46:04 +09'00'

8

7

6

5

4

3

2

1