

8

7

6

5

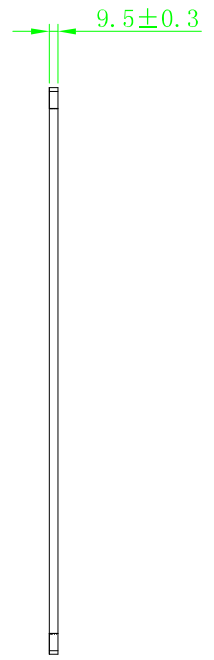
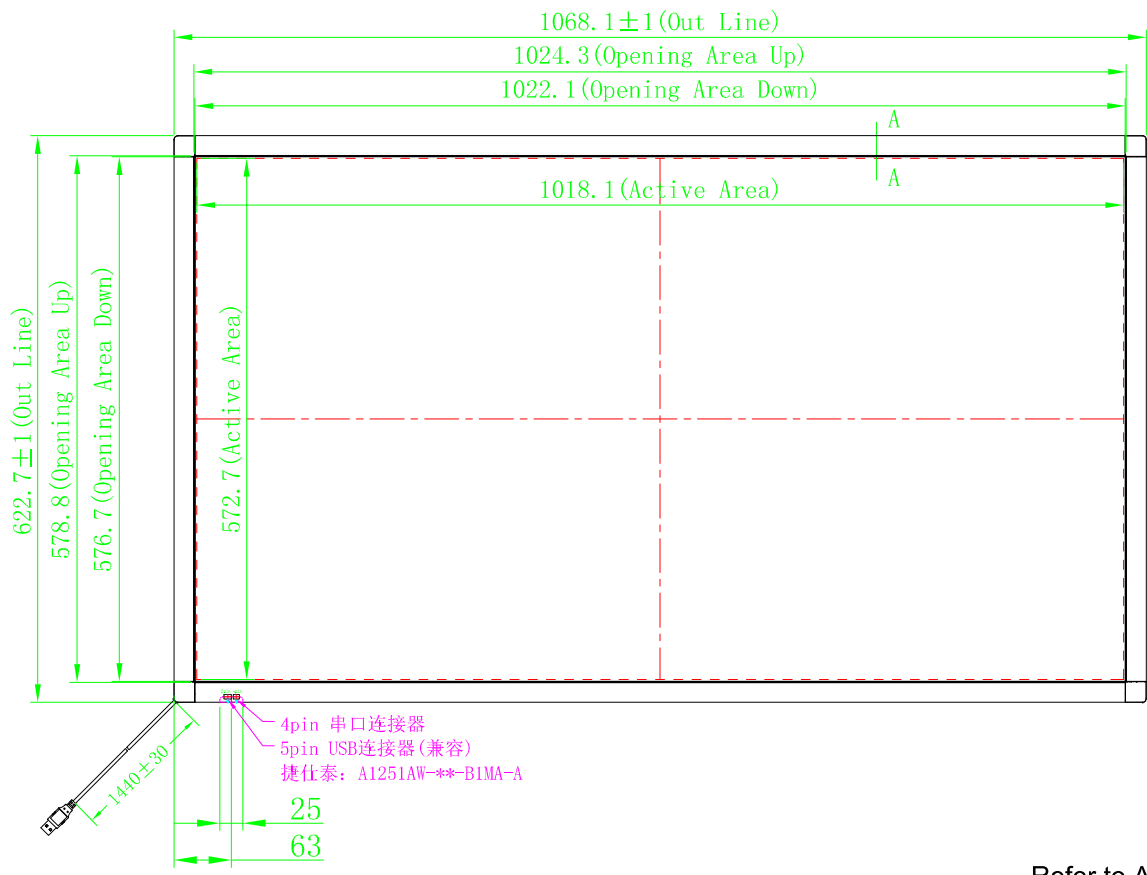
4

3

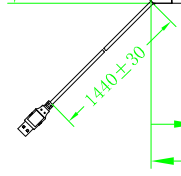
2

1

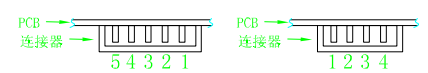
LOGO	REV.	Date	Changes
△			
△			
△			



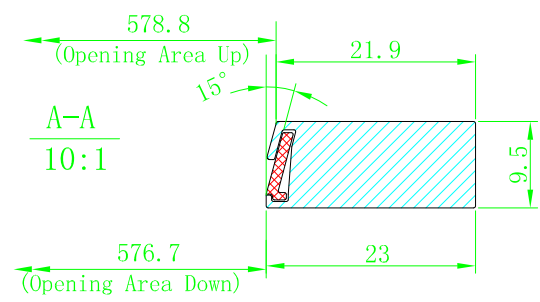
4pin 串口连接器
 5pin USB连接器 (兼容)
 捷仕泰: A1251AW-**-B1MA-A



Refer to AUO display design



PIN 脚定义
 PIN1: VCC
 PIN2: D-
 PIN3: D+
 PIN4: GND
 PIN5: 屏蔽线

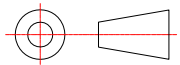


A-A
 10:1

TOLERANCES (UNLESS OTHERWISE STATED)

DECIMALS	ANGLES	±0.5°
> 2000mm	±2.00mm	
1600 < X ≤ 2000mm	±1.20mm	
1200 < X ≤ 1600mm	±0.80mm	
800 < X ≤ 1200mm	±0.50mm	
400 < X ≤ 800mm	±0.40mm	
120 < X ≤ 400mm	±0.30mm	
30 < X ≤ 120mm	±0.20mm	
≤ 30mm	±0.10mm	

THIRD ANGLE PROJECTION



OBEY Co., LIMITED

MODEL NO.		SCALE	1:1	NOTES:
PART No.	F46WH00D	REV.	1.0	
PART NAME	产品尺寸图	SIZE	FREE	
UNIT	mm	SHEET	1/1	
MATERIAL		CHK'D		
SURFACE		APP'D		
DRAWN		2014.05.30 18:00:04 +08'00'		

8

7

6

5

4

3

2

1