

8

7

6

5

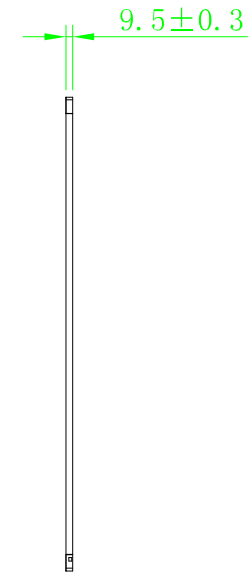
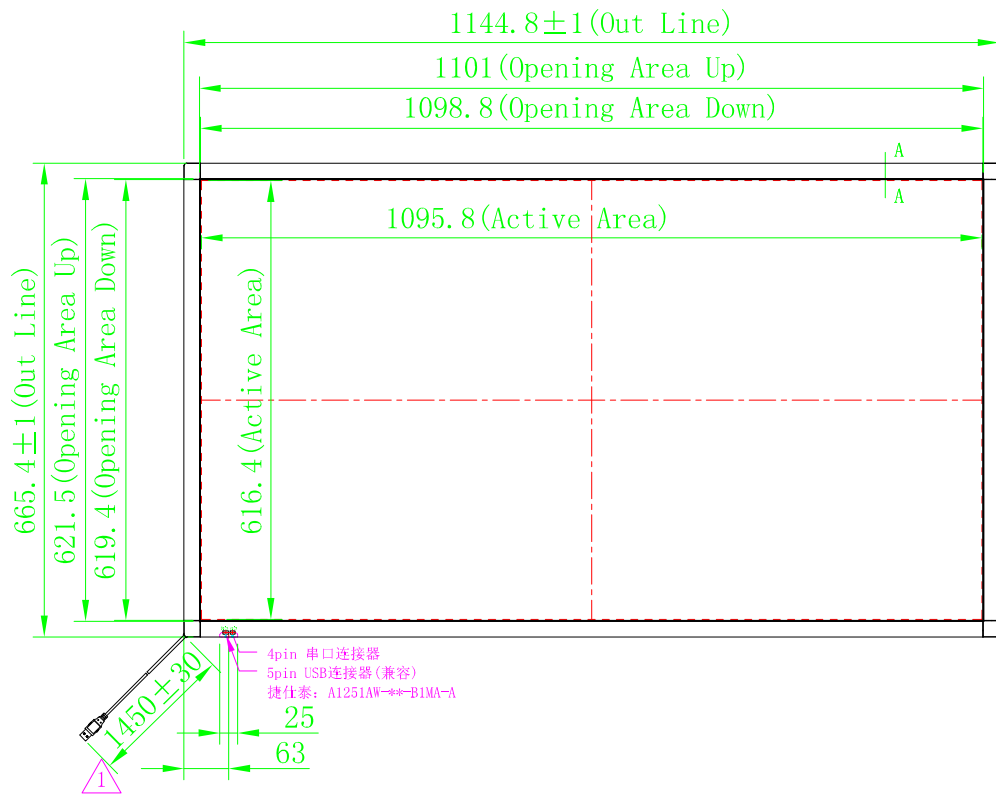
4

3

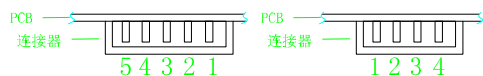
2

1

| | | | |
|------|------|----------|-----------|
| LOGO | REV. | Date | Changes |
| | 1.1 | 20140806 | 修改USB线材长度 |
| | | | |
| | | | |

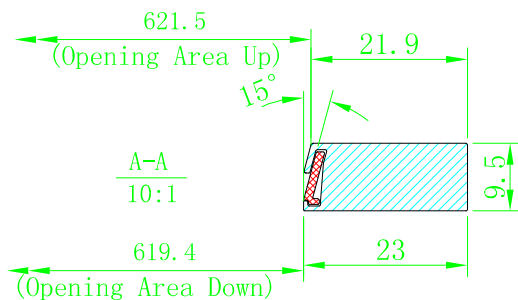


Refer to LG display design



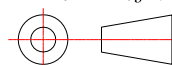
PIN 脚定义
 PIN1:VCC
 PIN2:D-
 PIN3:D+
 PIN4:GND
 PIN5:屏蔽线

PIN 脚定义
 PIN1:VCC
 PIN2:TTL-RXD
 PIN3:TTL-TXD
 PIN4:GND



| TOLERANCES (UNLESS OTHERWISE STATED) | |
|--------------------------------------|--------------|
| DECIMALS | ANGLES ±0.5° |
| > 2000mm | ±2.00mm |
| 1600 < x ≤ 2000mm | ±1.20mm |
| 1200 < x ≤ 1600mm | ±1.00mm |
| 800 < x ≤ 1200mm | ±0.80mm |
| 400 < x ≤ 800mm | ±0.50mm |
| 120 < x ≤ 400mm | ±0.40mm |
| 30 < x ≤ 120mm | ±0.30mm |
| ≤ 30mm | ±0.20mm |
| | ±0.10mm |

THIRD ANGLE PROJECTION



OBEY Co., LIMITED

| | | | | |
|-----------|----------|-----------------------------|------|--------|
| MODEL NO. | | SCALE | 1:1 | NOTES: |
| PART No. | F50WH00D | REV. | 1.1 | |
| PART NAME | 产品尺寸图 | SIZE | FREE | |
| UNIT | mm | SHEET | 1/1 | |
| MATERIAL | | CHK'D | | |
| SURFACE | | APP'D | | |
| DRAWN | | 2014.08.12 10:38:10 +08'00' | | |

8

7

6

5

4

3

2

1