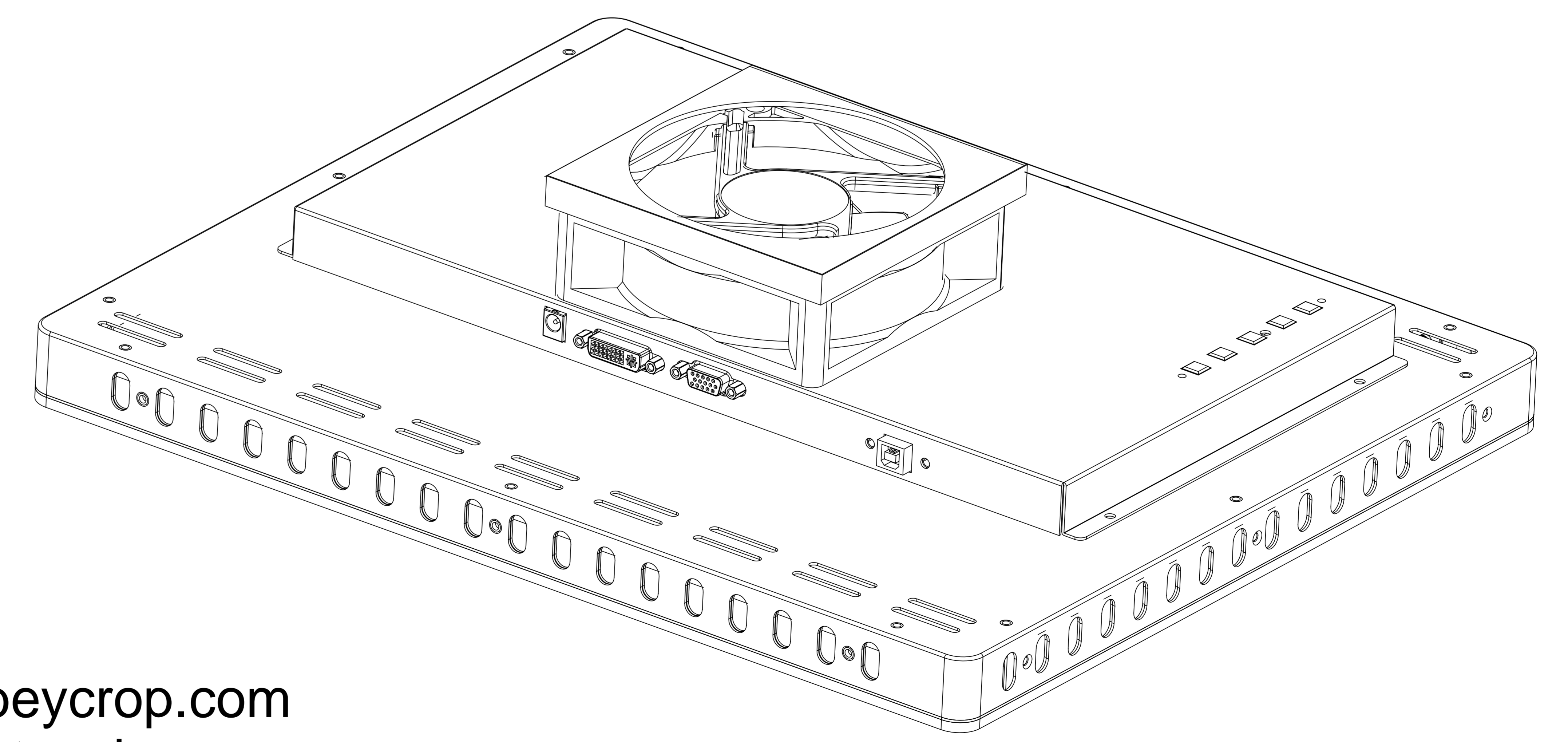


Unmarked tolerance in drawing will have ± 0.5 variation



www.obeycrop.com  
 www.obtouch.com  
 Model:OB190CBM2-PSEL