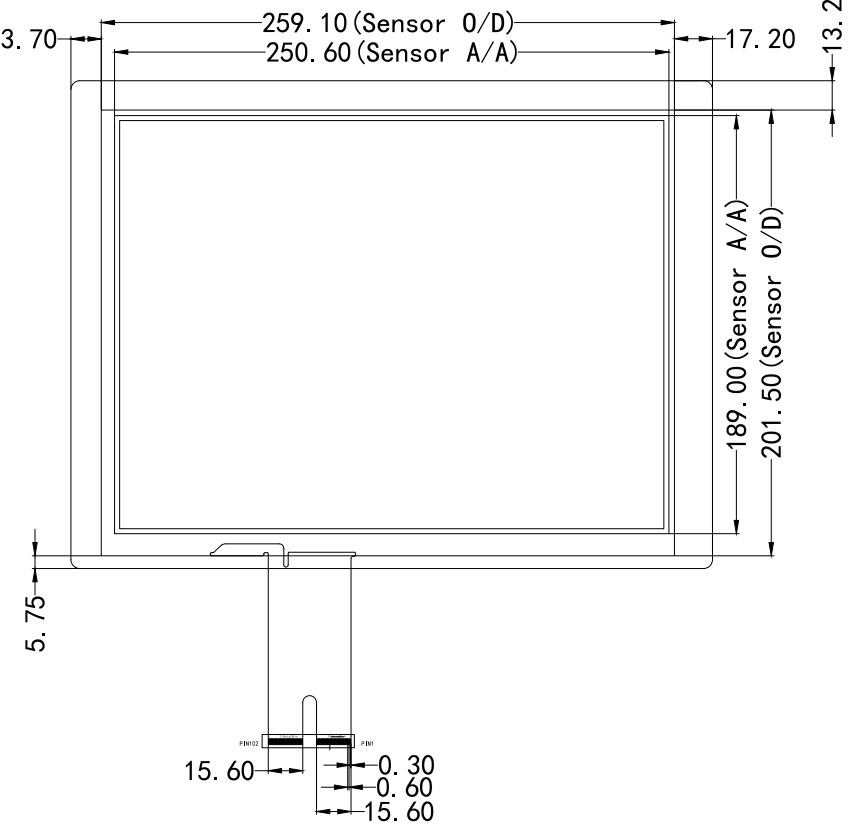
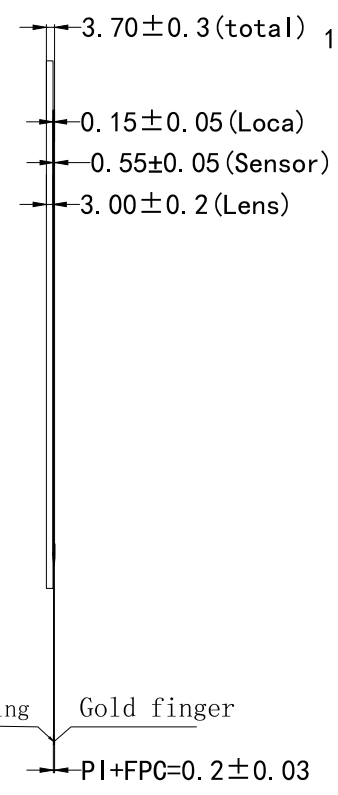
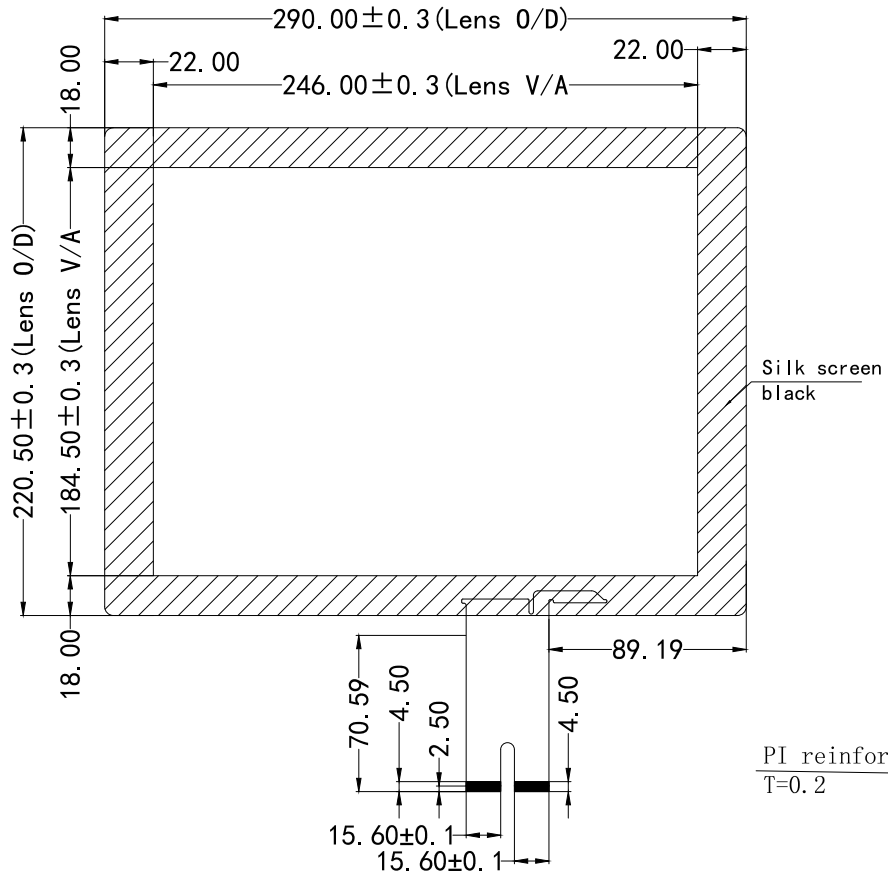


Top view

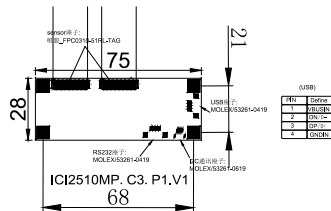
Side view

Bottom view



Technical parameters:

- 1.COVER LENS Tempered glass;
- 2.FPC interface cable COB all out PIN Interface;
- 3.PCB :ICI2510MP.C3.P1.V1;
- 4.Interface PIN is 0.3\*102 ;
- 5.For the surface hardness6H;
- 6.Light Transmission more than 85%;
- 7.Not specified tolerances±0.2mm;
- 8.Products comply with RoHS standard.



Touch Panel Structure

TOP		
-----	Cover	3.0mm
-----	UV	0.15mm
-----	ITO	} 0.55mm
-----	Sensor glass	
-----	ITO	
BOTTOM		TC121002ACJ

OBEYCROP-Obeytec			Product Name: 12.1 " (4:3) Projected capacitive touch screen		
			Material	Weight	Unit
Glass +Glass				mm	Drawing No. OB121P00-3M-C01 -D02
Sheet 1 of 1					