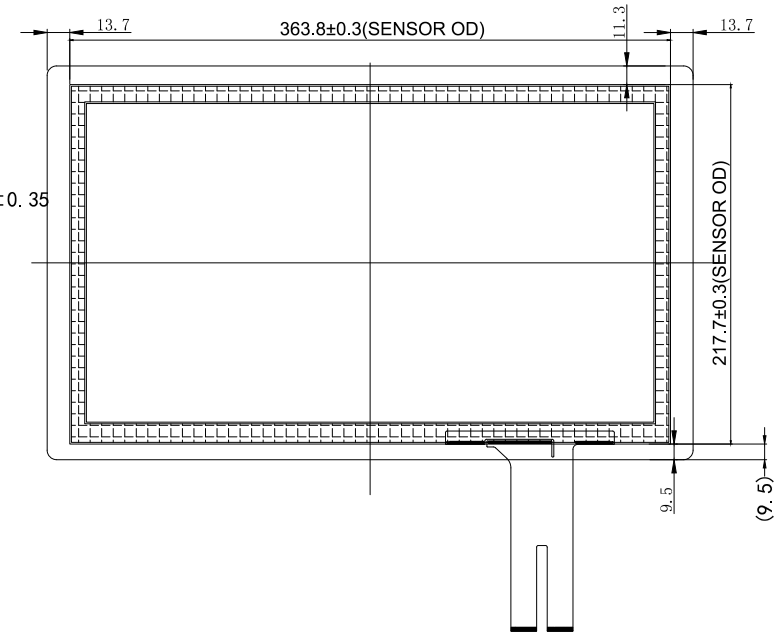
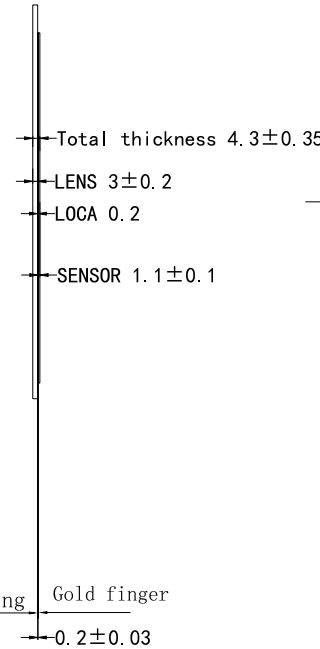
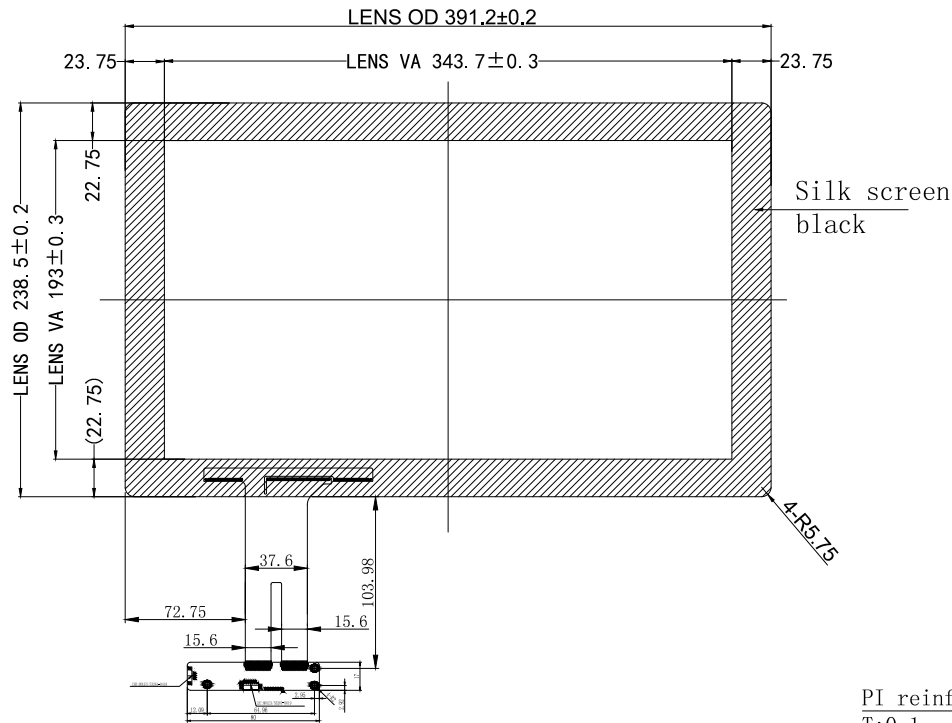


Top view

Side view

Bottom view



Technical parameters:

- 1.SENSOR Structure: Glass+Glass
- 2.IC ILI2510MP.C2.P1.V1
- 3.Light transmittance: $\geq 80\%$;
- 4.Working environment: $-10^{\circ}\text{C} \sim +60^{\circ}\text{C}$, $\leq 85\% \text{RH}$;
- 5.Storage environment: $-10^{\circ}\text{C} \sim +65^{\circ}\text{C}$, $\leq 85\% \text{RH}$;
- 6.Tolerance of those parts without any notes: $\pm 0.5 \text{ mm}$;
- 6.Products comply with RoHS standard.

Touch Panel Structure

TOP	
— Cover	3.0mm
— UV	0.2mm
— ITO	} 1.1mm
— Sensor glass	
— ITO	} 1.1mm
— ITO	
BOTTOM TC156002ACJ	

OBEYCROP-Obeytec			Product Name: 15.6 " Projected capacitive touch screen
Material	Weight	Unit	Product No. OB156P00-3K-C00
Glass +Glass		mm	Drawing No. OB156P00-3K-C00 -D01
Sheet 1 of 1			