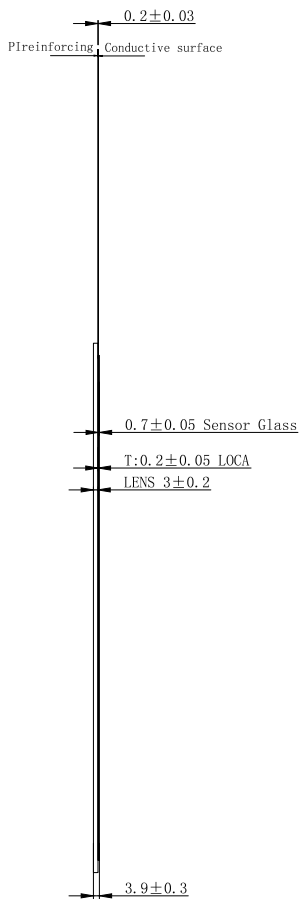
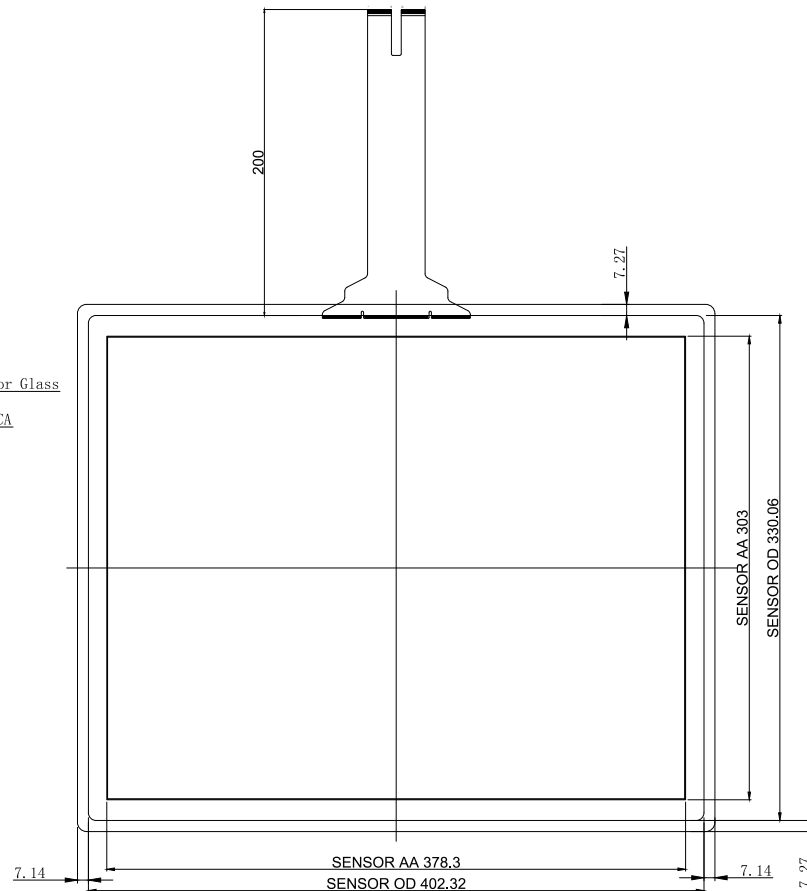


### Side view



### Bottom view

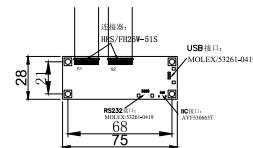


#### Technical parameters:

- Product structure: GLASS + ITO GLASS + FPC
- Surface hardness: 6H
- Transmittance: 85% or greater
- IC: ILI2510 TX61 \* RX35 (channel)
- Working environment: - 10 °C ~ + 60 °C,
- Storage condition: - 20 °C ~ + 70 °C,
- The tolerance of unfilled size is ±0.2mm

(USB)	
PIN	Define
1	VDD/5V
2	D-
3	D+
4	GND

RS232:	
NO.	NAME
1	VBUSIN
2	NC
3	232TXD
4	EGND



ICI2510MP.C3.P1.V1

Touch Panel Structure		
TOP		
-----	Cover	3.0mm
-----	UV	0.2mm
-----	ITO	} 0.7mm
-----	Sensor glass	
-----	ITO	
BOTTOM		TCC-0256-19-V1

OBEYCROP-Obeytec			Product Name: 19" Projected capacitive touch screen	
			Material	Weight
Glass +Glass			mm	Drawing No. OB190P00-3M-C00 -D01
Sheet 1 of 1				