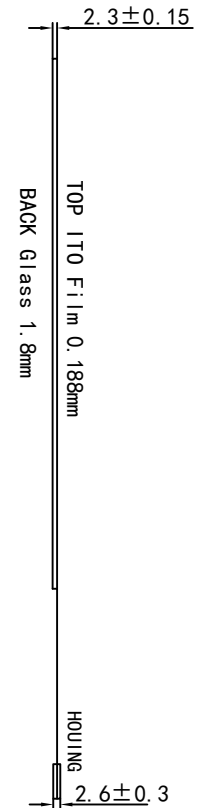
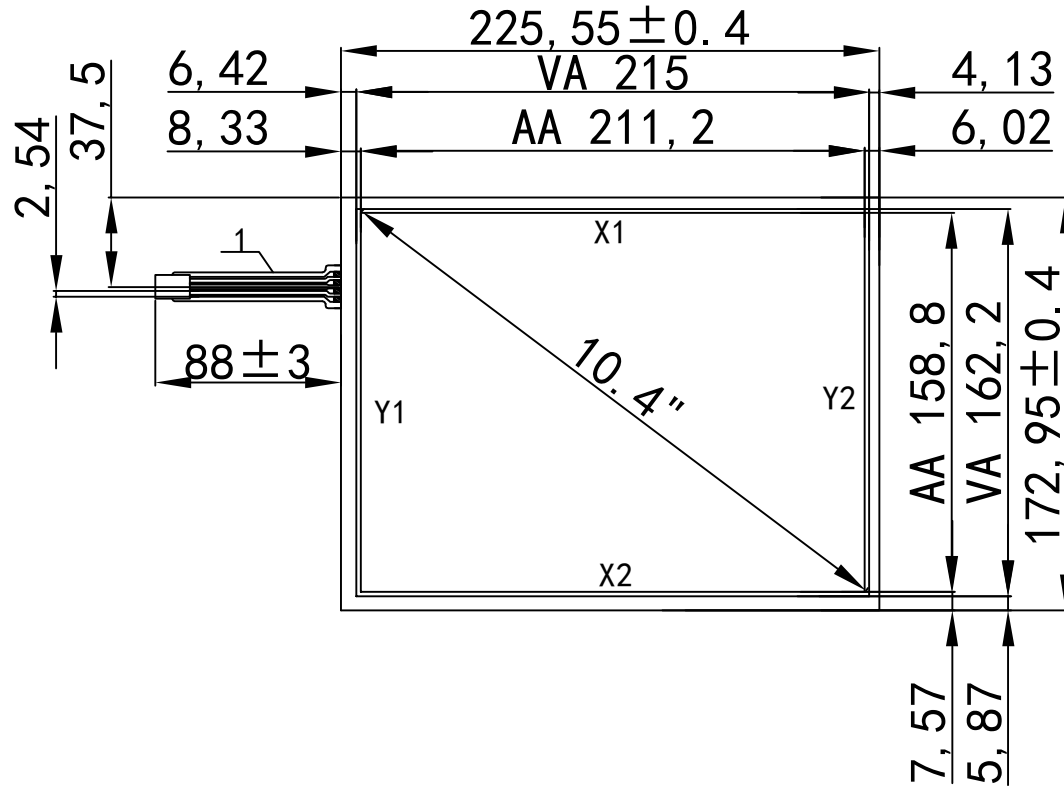
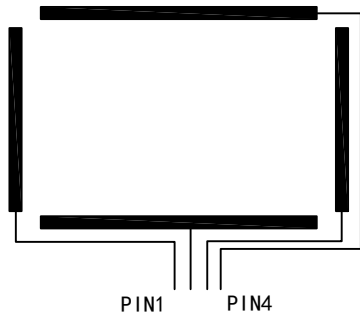


PIN	Assignment
1	X1
2	Y1
3	X2
4	Y2



Notes:

- Type: Film to Glass
- Operating Voltage: $\leq 10V$
- Operation Temperature: $-10^{\circ}C \sim 60^{\circ}C$ Storage Temperature: $-20^{\circ}C \sim 70^{\circ}C$
- Life Time: $> 1,000,000$ times
- Connect Material: FPC
- Response Time: $\leq 10ms$
- Linearity: $\leq 1.5\%$
- Transmittance: $\geq 78\%$
- Surface Hardness $\geq 3H$ (pencil)
- Operation force: $20g \sim 100g$
- Resistance: Y: $200 \Omega - 600 \Omega$ X: $250 \Omega - 700 \Omega$

OBEY CO., LIMITED			
WWW.OBTOUCH.COM WWW.OBEYCROP.COM			
MODEL NO.	TS104A4B05	UNIT:	MM
DRAWN:		TOLERANCE:	± 0.3
DATE:		SCALE:	1:1
VERSION:	1.0	REV:	104W4N2