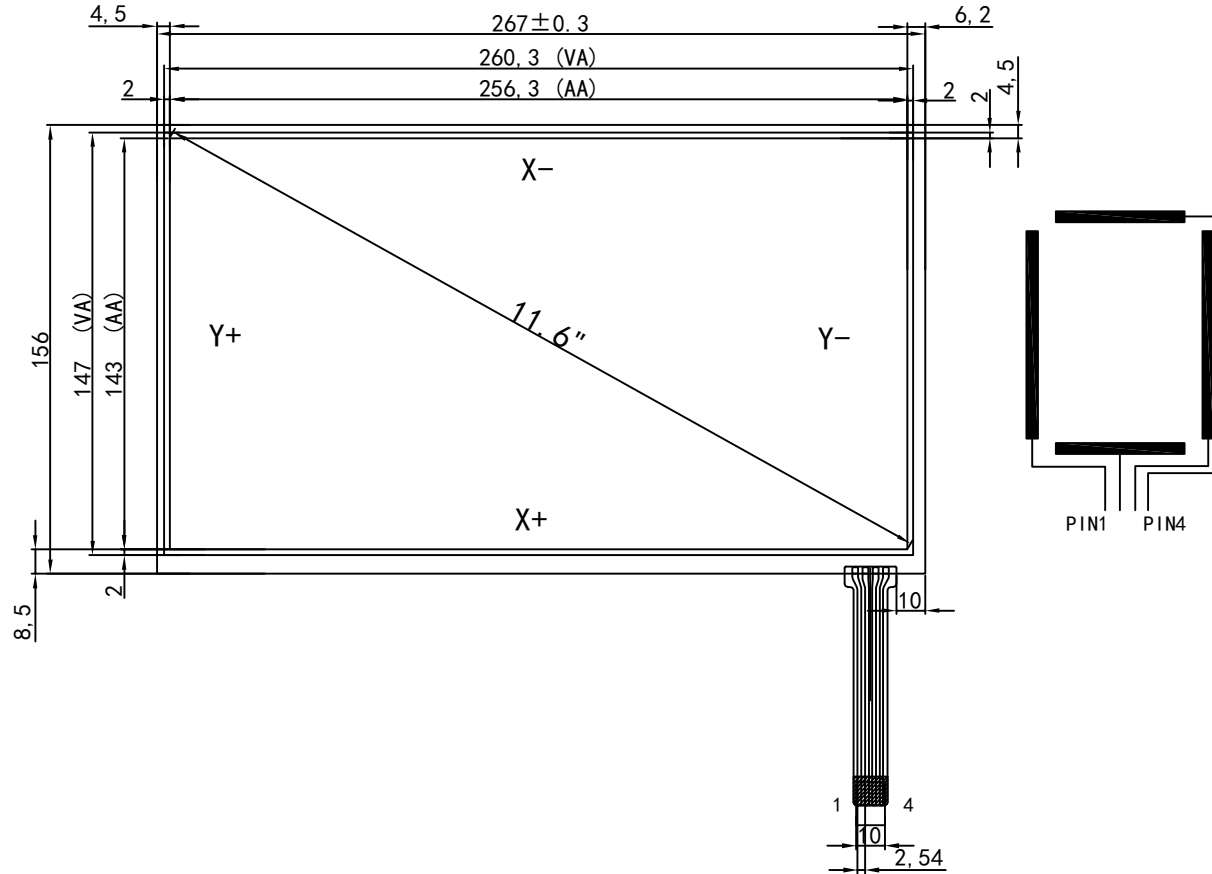


| VERSION | MODIFY | DATE |
|---------|--------|------|
|         |        |      |
|         |        |      |

| PIN | Assignment |
|-----|------------|
| 1   | Y+         |
| 2   | X+         |
| 3   | Y-         |
| 4   | X-         |



Notes:

1. Type: Film to Glass
2. Operating Voltage:  $\leq 10V$
3. Operation Temperature:  $-10^{\circ}C \sim 60^{\circ}C$   
Storage Temperature:  $-20^{\circ}C \sim 70^{\circ}C$
4. Life Time:  $> 1,000,000$  times
5. Connect Material: FPC
6. Response Time:  $\leq 10ms$
7. Linearity:  $\leq 1.5\%$
8. Transmittance:  $\geq 78\%$
9. Surface Hardness  $\geq 3H$  (pencil)
10. Operation force:  $40g \sim 100g$
11. Resistance: X :  $250 \Omega - 450 \Omega$   
Y :  $450 \Omega - 800 \Omega$

TOP ITO Film 0.188mm  
Back ITO Glass 1.1mm

|                   |        |       |          |                                    |            |        |      |
|-------------------|--------|-------|----------|------------------------------------|------------|--------|------|
| OBEY CO., LIMITED |        |       |          | WWW.OBTOUCH.COM   WWW.OBEYCROP.COM |            |        |      |
| MODEL NO.         | DRAWN: | DATE: | VERSION: | UNIT:                              | TOLERANCE: | SCALE: | REV: |
| TS116A4K01        |        |       | 1.0      | MM                                 | $\pm 0.2$  | 1:1    |      |