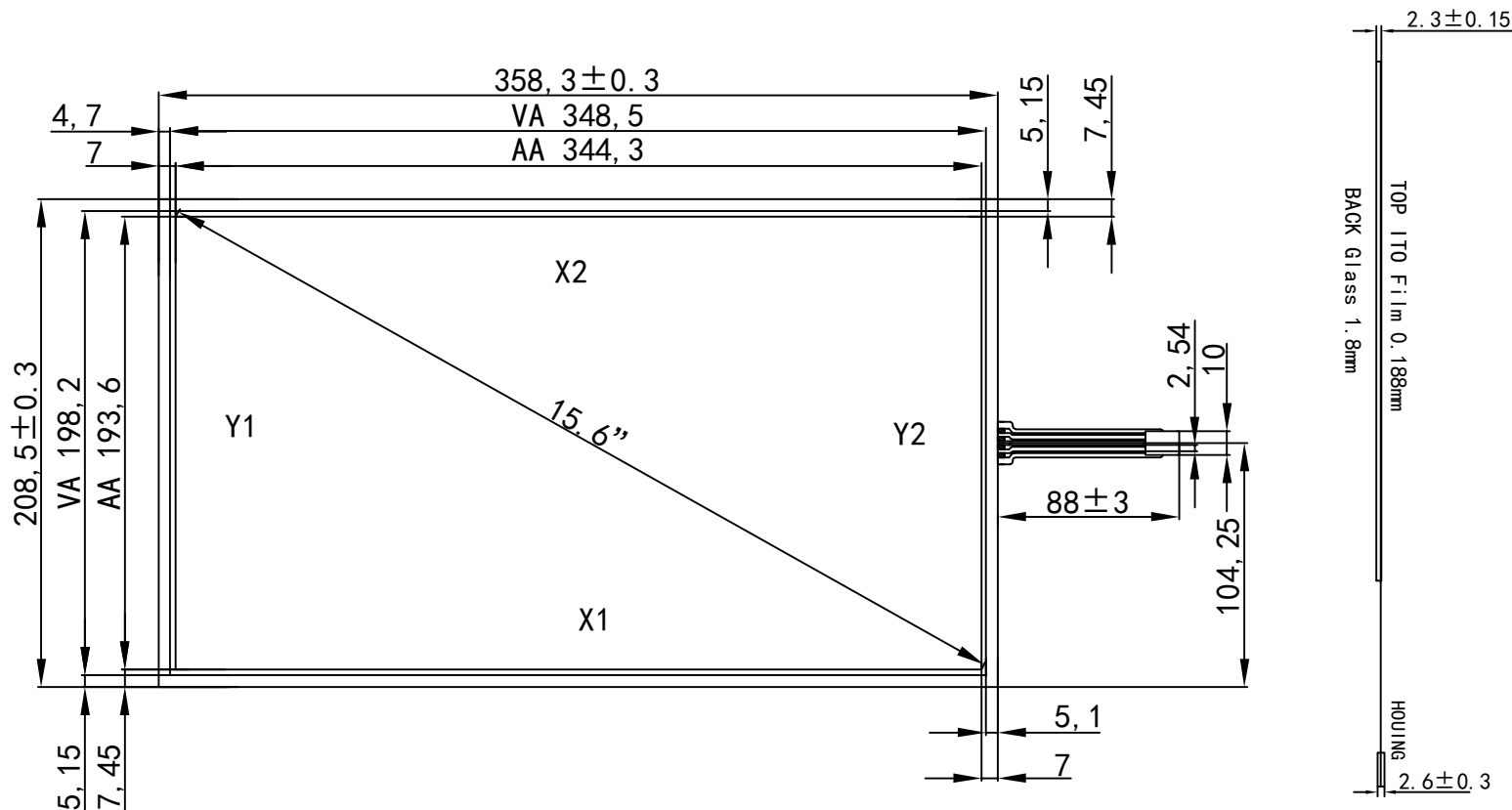
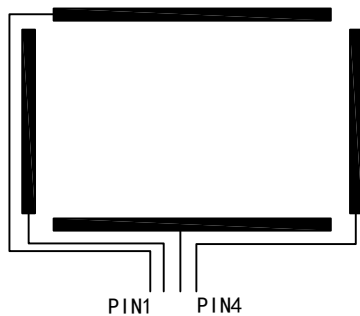


PIN	Assignment
1	Y1
2	X1
3	Y2
4	X2



Notes:

- 1. Type: Film to Glass
- 2. Operating Voltage: $\leq 10V$
- 3. Operation Temperature: $-10^{\circ}C \sim 60^{\circ}C$ Storage Temperature: $-20^{\circ}C \sim 70^{\circ}C$
- 4. Life Time: $> 1,000,000$ times
- 5. Connect Material: FPC
- 6. Response Time: $\leq 10ms$
- 7. Linearity: $\leq 1.5\%$
- 8. Transmittance: $\geq 78\%$
- 9. Surface Hardness $\geq 3H$ (pencil)
- 10. Operation force: $20g \sim 100g$
- 11. Resistance: Y: $200\Omega - 600\Omega$ X: $250\Omega - 400\Omega$

OBEY CO., LIMITED			
WWW.OBTOUCH.COM WWW.OBEYCROP.COM			
MODEL NO.	TS156A4K06	UNIT:	MM
DRAWN:		TOLERANCE:	± 0.3
DATE:		SCALE:	1:1
VERSION:	1.0	REV:	