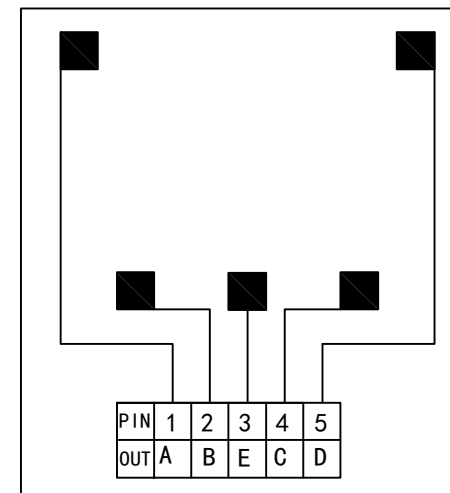


2.30±0.15

1.8mm Ito Glass
0.188mm Ito Film

2.5±0.2

HOUSING



Notes:

- 1. Type: Film to Glass
- 2. Operating Voltage: $\leq 10V$
- 3. Operation Temperature: $-10^{\circ}C \sim 60^{\circ}C$ Storage Temperature: $-20^{\circ}C \sim 70^{\circ}C$
- 4. Life Time: $> 10,000,000$ times
- 5. Connect Material: FPC
- 6. Response Time: $\leq 10ms$
- 7. Linearity: $\leq 5\%$
- 8. Transmittance: $\geq 78\%$
- 9. Surface Hardness $\geq 3H$ (pencil)
- 10. Operation force: 60g~150g

OBEY CO., LIMITED WWW.OBTOUCH.COM WWW.OBEYCROP.COM			
MODEL NO.	TS216A6K01	UNIT:	MM
DRAWN:		TOLERANCE:	±0.3
DATE:	15/2/2	SCALE:	1:1
VERSION:	1.0	REV:	