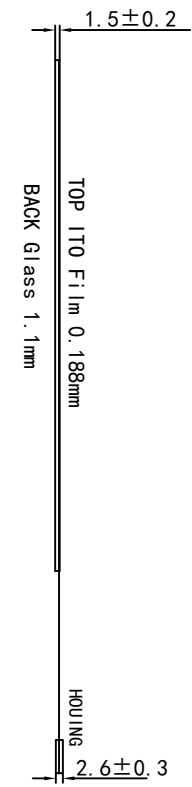
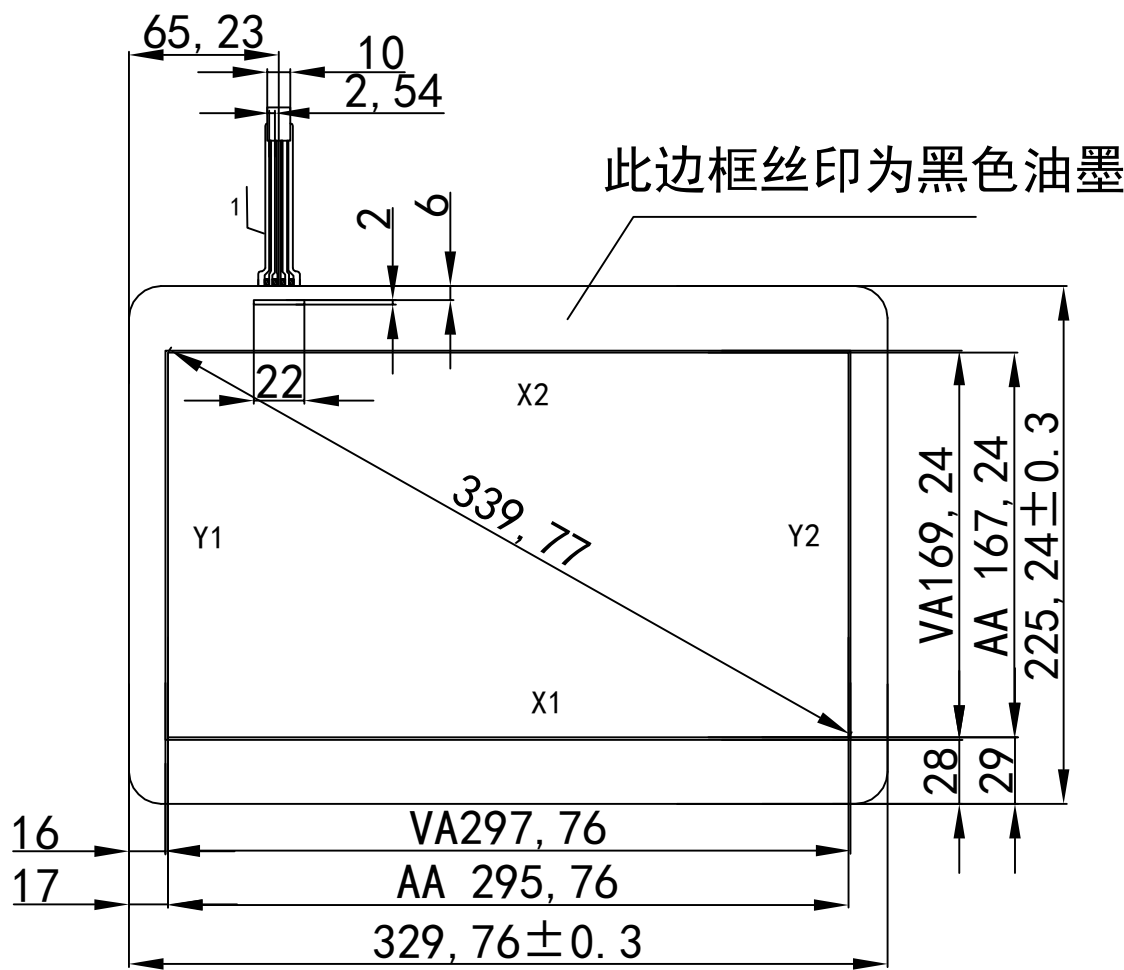
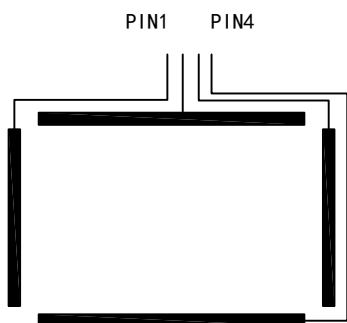


PIN	Assignment
1	Y1
2	X1
3	Y2
4	X2



Notes:

- | | |
|---|---|
| 1. Type: Film to Glass | 2. Operating Voltage: $\leq 10V$ |
| 3. Operation Temperature: $-10^{\circ}C \sim 60^{\circ}C$ | Storage Temperature: $-20^{\circ}C \sim 70^{\circ}C$ |
| 4. Life Time: $> 1,000,000$ times | 5. Connect Material: FPC |
| 6. Response Time: $\leq 10ms$ | 7. Linearity: $\leq 1.5\%$ |
| 8. Transmittance: $\geq 78\%$ | 9. Surface Hardness $\geq 3H$ (pencil) |
| 10. Operation force: $20g \sim 100g$ | 11. Resistance: Y: $200\Omega - 600\Omega$ X: $250\Omega - 700\Omega$ |

OBEY CO., LIMITED			
WWW.OBTOUCH.COM WWW.OBEYCROP.COM			
MODEL NO.	TS133A4C01	UNIT:	MM
DRAWN:		TOLERANCE:	± 0.3
DATE:		SCALE:	1:1
VERSION:	1.0	REV:	