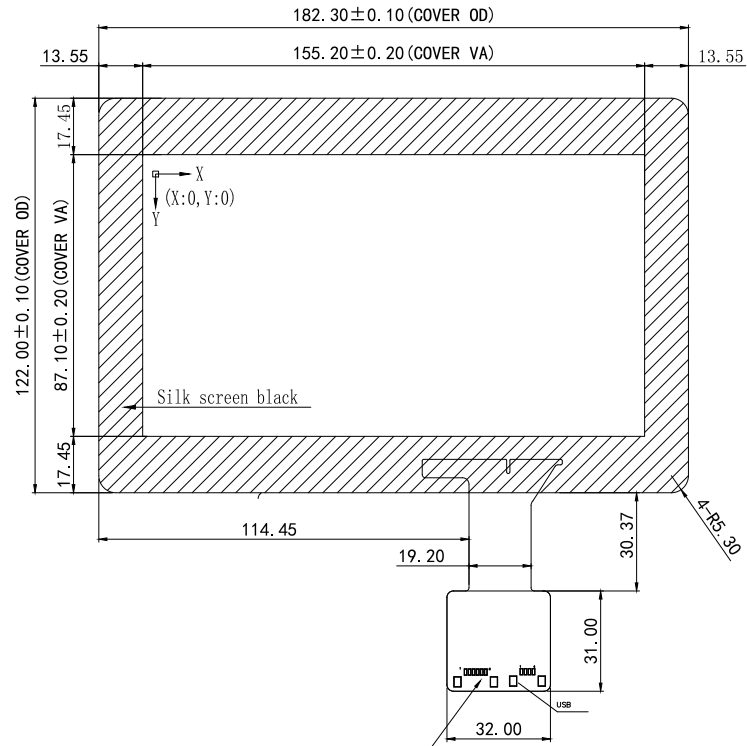
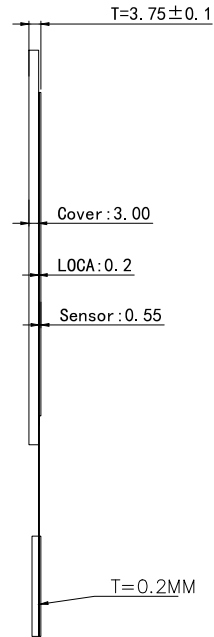


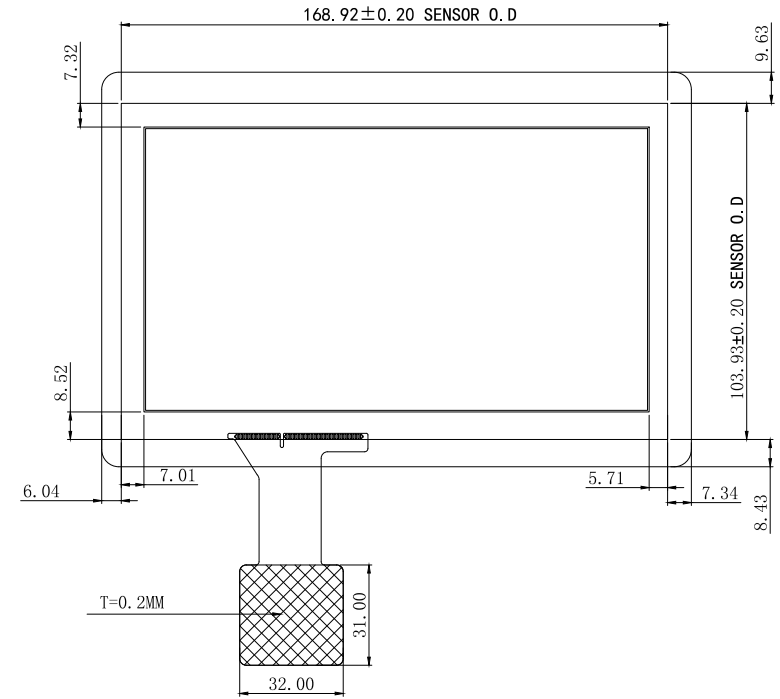
# Top View



# Side View



# Bottom View



### Technical parameters:


1. COVER LENS for chemical enhanced glass;
2. FPC interface line is USB and I2C compatible;
3. IC: ILI2511 (TX15\*RX28), 10 touch, IO voltage 3.3V;
4. Working voltage: 5V, interrupt mode: pull-down pulse;
5. Resolution: automatic identification (customer request); Origin: top left;
6. Surface hardness is greater than 6H;
7. The transmittance is above 86%;
8. Unmarked tolerance is plus or minus 0.2mm;
9. Products conform to RoHS standards.

PIN#	Define
1	VDD5.0V
2	D-
3	D+
4	GND

### Touch Panel Structure

TOP		
-----Cover		3.0mm
-----UV		0.2mm
-----ITO	}	0.55mm
-----Sensor glass		
-----ITO		
BOTTOM		

TCC-0067-07-V1

 Dongguan CJtouch Electronic co. Ltd			Product Name:	
			7" P-CAP touchscreen Screen Aspect Ratio 16:9	
Material	Weight	Unit	Product No. CPI070T00-3K-C00	
Glass+Glass		mm		
Sheet 1 of 1			Drawing No. CPI070T00-3K-C00 -D01	